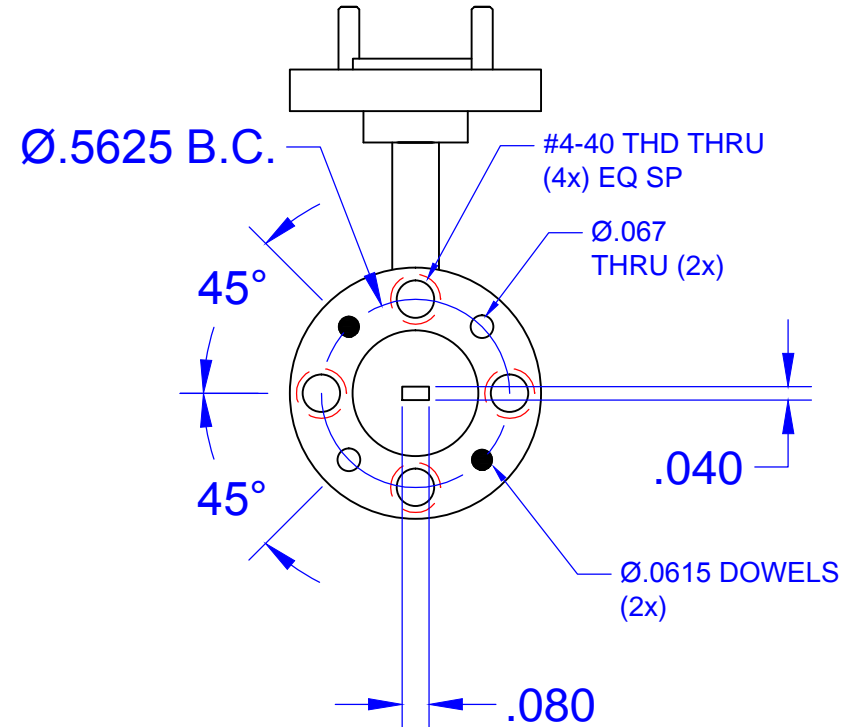
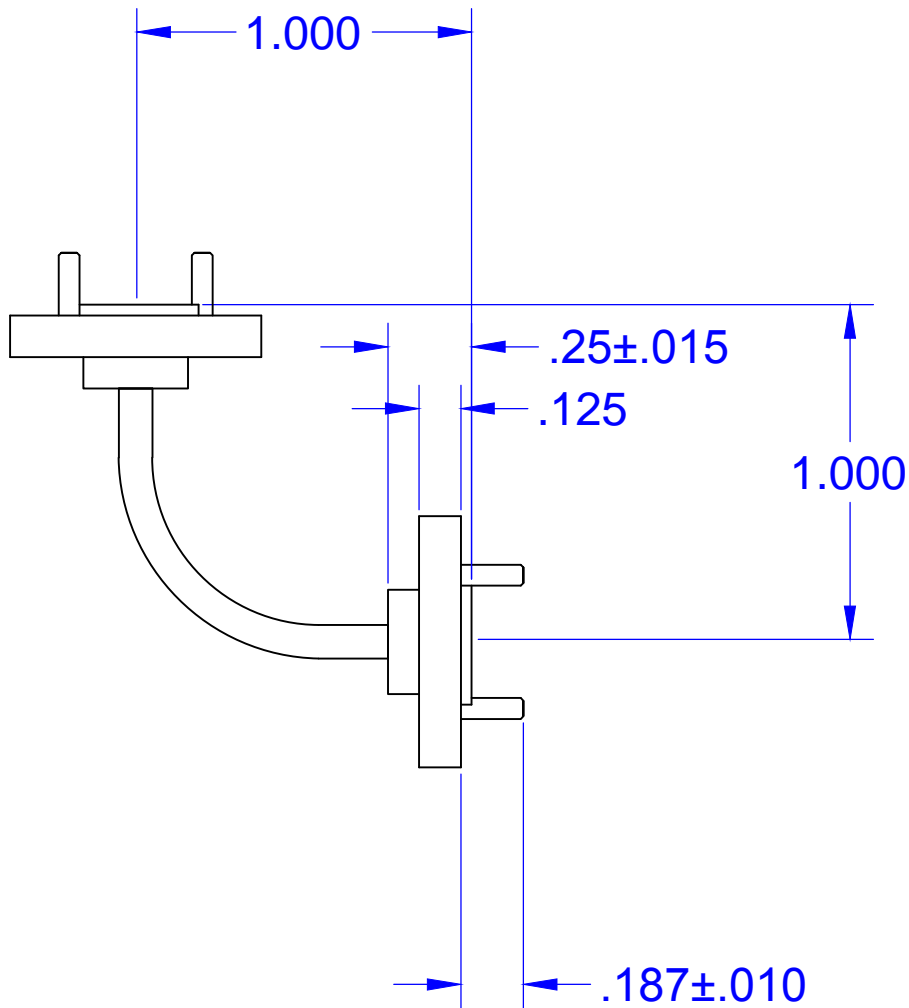
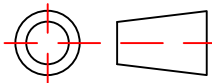


REVISIONS			
REV	DESCRIPTION	DATE	APPROVED
--	--	--	--



UNLESS OTHERWISE SPECIFIED ALL SURFACES $\sqrt{32}$		 THIRD ANGLE PROJECTION		Mi-Wave Millimeter Products Inc.	
DIMENSIONS ARE IN INCHES TOLERANCES ARE: DECIMALS: .1234 +/- .0005 .123 +/- .005 .12 +/- .01 ANGLES: +/- .5 DEGREES		DRAFTING: K.S.		TITLE 660F/387 E PLANE BEND OUTLINE	
ALL THREADS TO BE 2A OR 2B		APPROVED: M.S.		DATE: 6/10/2010	
REF DWG# --	SHEET NO. 1	OF 1	SIZE A	DWG NO 24850	
ORIGINAL DWG# 20164					